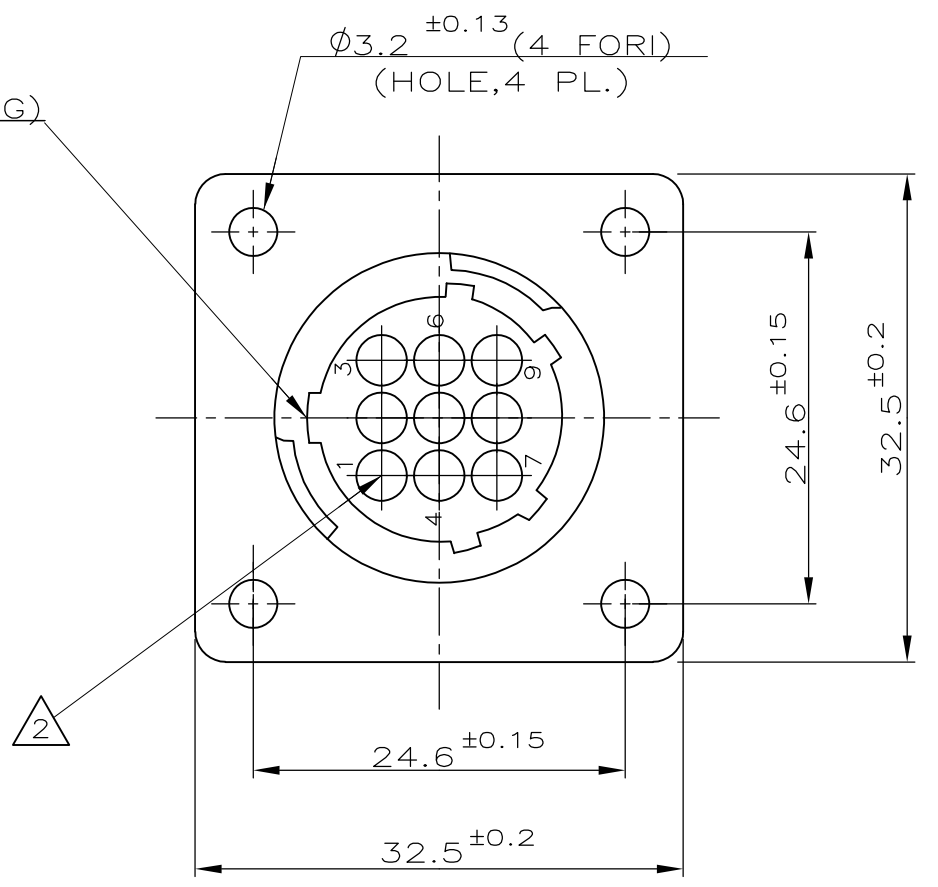


POLARIZZAZIONE (KEYING)



IL DISEGNO INDICA IL P.N. 182922-1  
 (P.N. 182922-1 AS SHOWN)

NOTE (NOTES)

- MATERIALE (MATL.): TERMOPLASTICO COLORE NERO (THERMOPLASTIC, BLACK COLOR).
- OGNI CAVITA' E' IDENTIFICATA DAL NUMERO POSTO SIA SUL FRONTE CHE SUL RETRO DEL CONNETTORE. (CONTACT CAVITIES IDENTIFIED BY CHARACTERS)
- QUESTO CONNETTORE E' APPROVATO CON FILE N.E28476 E CERTIFICATO CON FILE N.LR7189A-259 (THIS CONNECTOR IS RECOGNIZED BY FILE N.E28476 AND CERTIFIED BY FILE N.LR7189A-259)

DISTRIBUZIONE (PRINT. DIST.)

|                              |  |  |  |   |  |
|------------------------------|--|--|--|---|--|
|                              |  | CUSTOMER DRAWING FOR REFERENCE ONLY  |  | DISEGNO PER CLIENTE SOLO PER RIFERIMENTO  |  |
|                              |  | THIS DRAWING IS UNPUBLISHED  |  | RELEASE FOR PUBLICATION 1991  |  |
|                              |  | © COPYRIGHT BY ,   |  | ALL INTERNATIONAL RIGHT RESERVED.   |  |
|                              |  | TOLLERANZE: SE NON DIVERSAMENTE SPECIFICATO (TOLERANCES: UNLESS OTHERWISE SPECIFIED) |  | DIAM. ISOLANTE (INS. DIA. RANGE)  |  |
|                              |  | ± 0.3  |  | RANGO FILO (WIRE RANGE)   |  |
|                              |  | ANGOLI (ANGLES) ± 2°   |  | SCALA (SCALE)   |  |
|                              |  | DIS. (DR.) 22 JUNE 91 C.CORDOLA  |  | DESCRIZIONE (DESCRIPTION) C.P.C. SQUARE FLANGE RECEPTACLE FOR PIN CTC.S SIZE 13-9, STD. SEX |  |
|                              |  | CONT. (CHK) -  |  | LOC. SIZE NUMERO (DWG NO)   |  |
|                              |  | APP. (APP.) -  |  | I A3 C - 182922   |  |
| C3 REVISED PER ECO-11-005140 |  | RK 07APR 2011  |  | REV. FOGLIO (SHEET) 1 OF 1  |  |
| REV. (REV.LTR.)              |  | DIS. DATA (DR) (DATE)  |  |   |  |

# Mouser Electronics

Authorized Distributor

Click to View Pricing, Inventory, Delivery & Lifecycle Information:

[TE Connectivity:](#)

[182922-1](#)